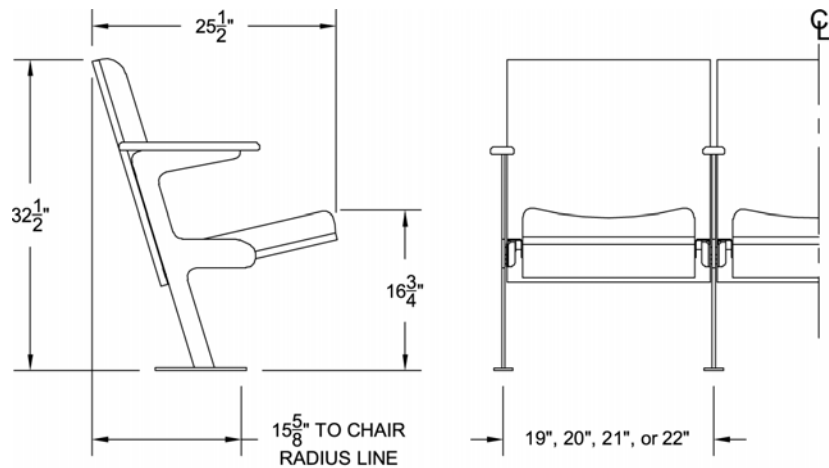


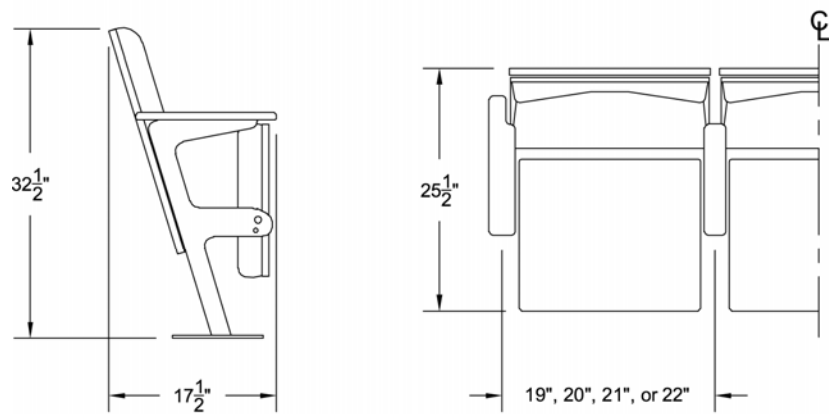
Figure 1 - Planar A1 Front, Side, and Plan Views

(This model has inner-upholstered seat and back cushions, both with outer wood veneer, high-pressure laminate, or powder coated panels.)



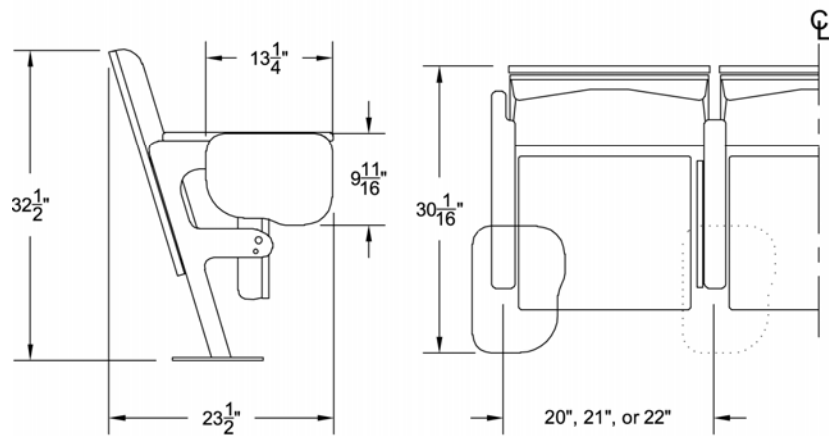
SIDE VIEW w/ SEAT DOWN

FRONT VIEW



SIDE VIEW w/ SEAT UP

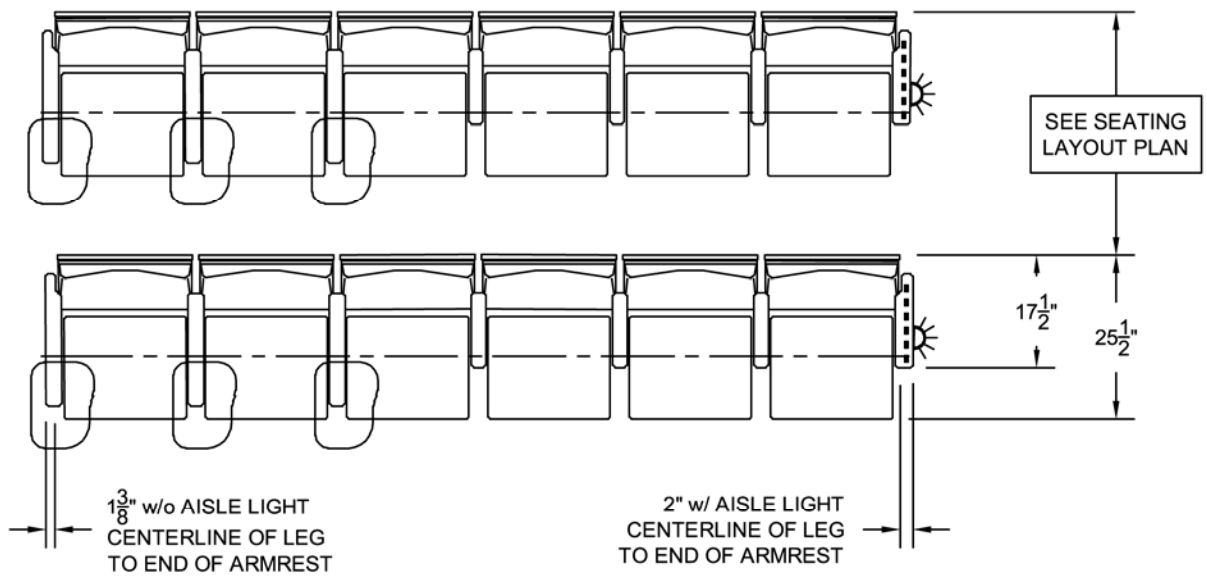
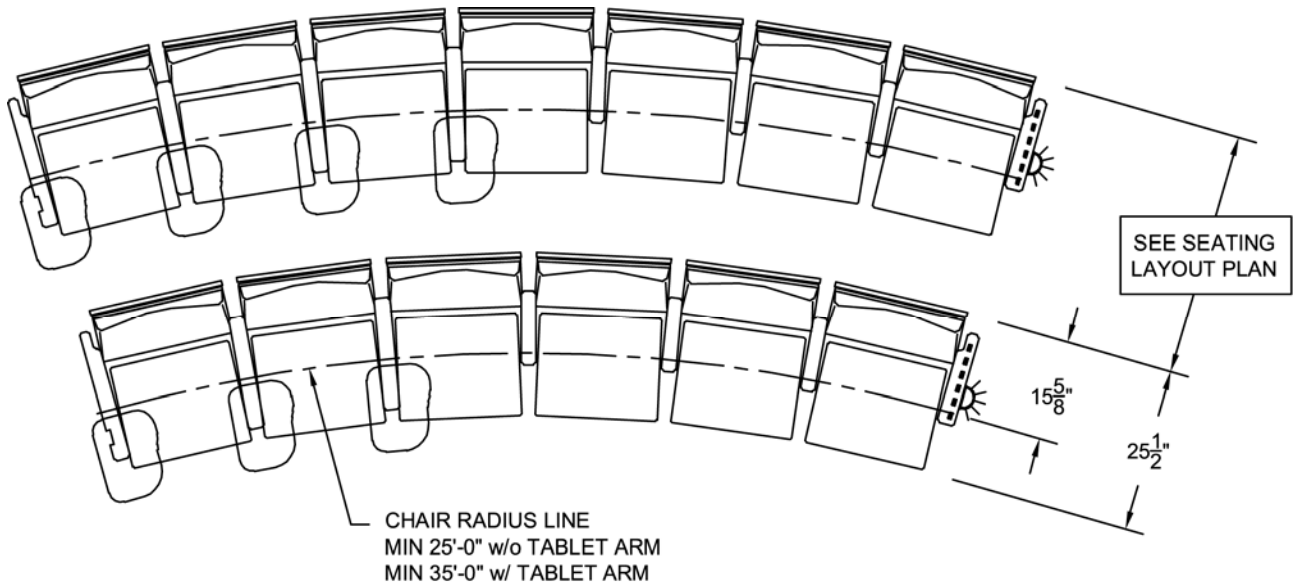
PLAN VIEW



**SIDE VIEW w/ SEAT UP
TABLET ARM**

**PLAN VIEW
TABLET ARM**

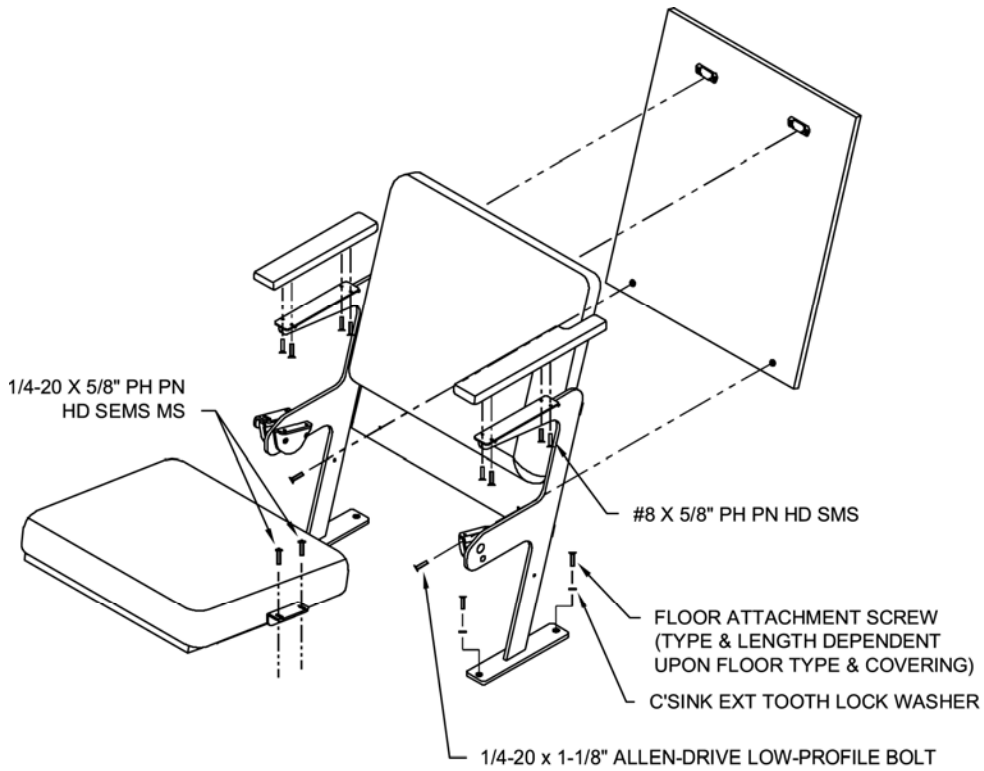
Figure 2 - Planar Seating Layout Dimensions



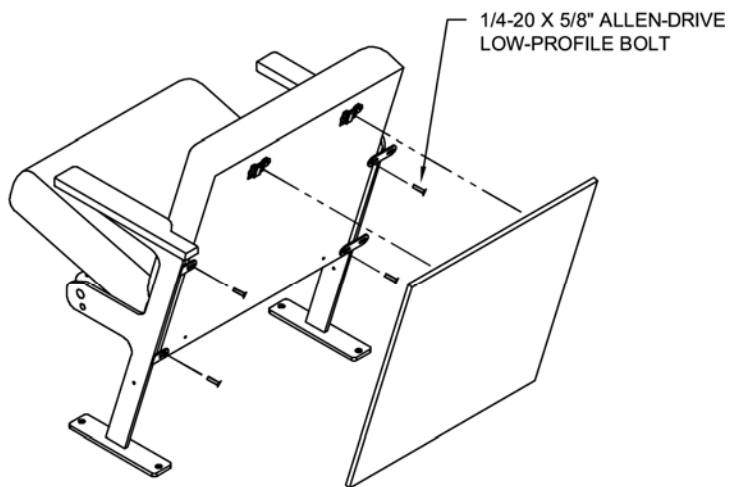
CENTER-TO-CENTER DIMENSIONS FOR STANDARD CHAIRS **WITHOUT** TABLET ARMS ARE 19", 20", 21", OR 22".

CENTER-TO-CENTER DIMENSIONS FOR STANDARD CHAIRS **WITH** TABLET ARMS ARE 20", 21", OR 22".

Figure 3 - Planar – Exploded Assembly



FRONT VIEW



BACK VIEW

Figure 4 - Planar – Floor Mounting Details

