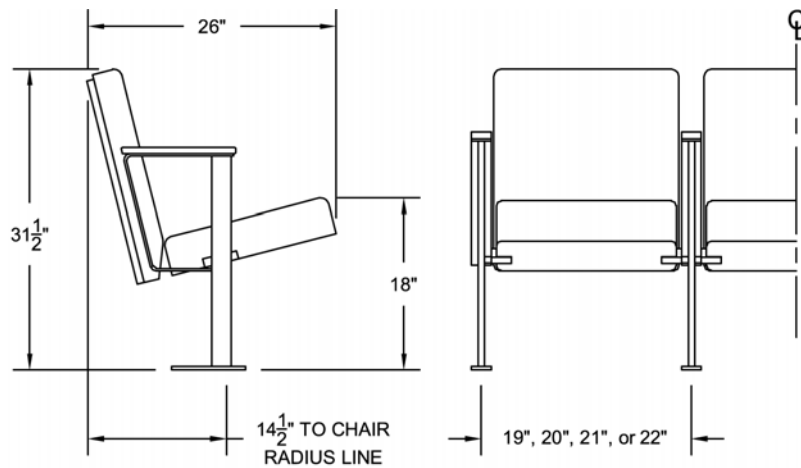


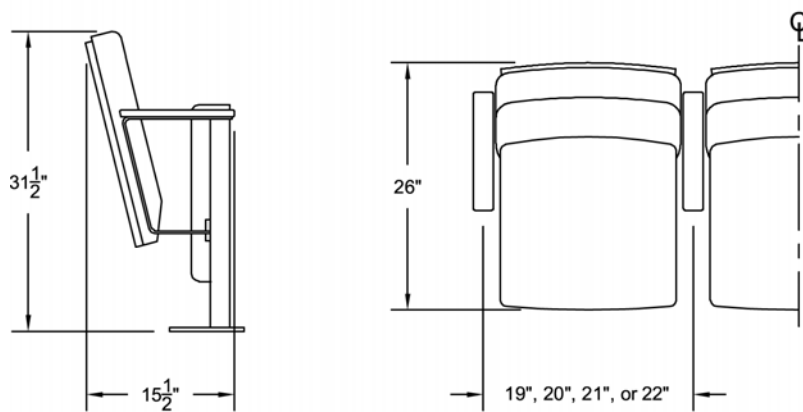
Figure 1 - Acclaim C1 Front, Side, and Plan Views

(This model has an inner-upholstered back cushion with outer wood veneer panel and a fully-upholstered seat.)



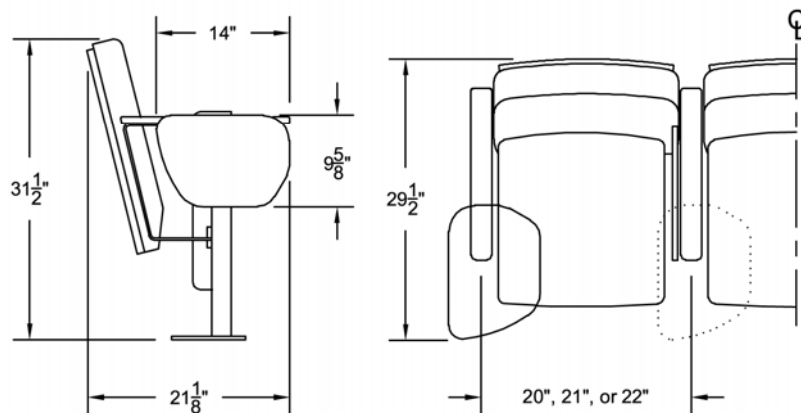
SIDE VIEW w/ SEAT DOWN

FRONT VIEW



SIDE VIEW w/ SEAT UP

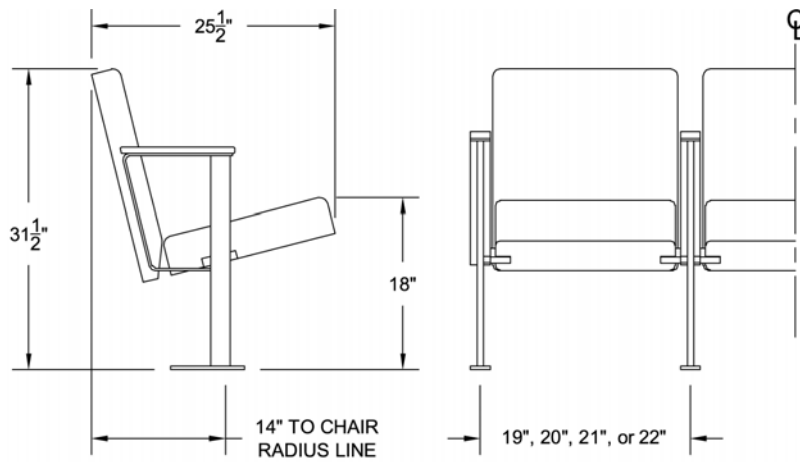
PLAN VIEW



**SIDE VIEW w/ SEAT UP
TABLET ARM**

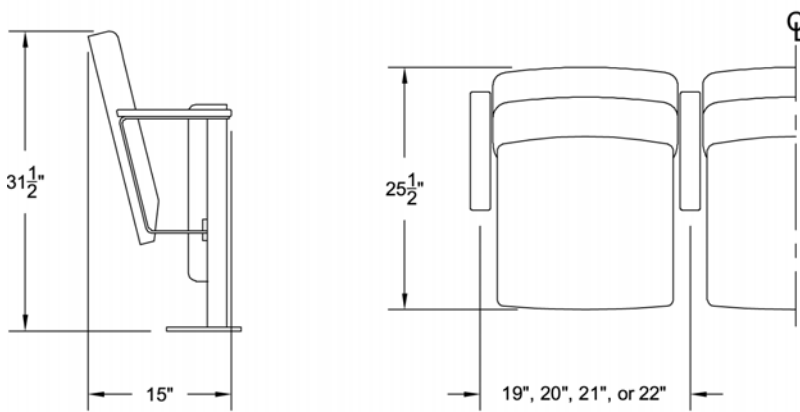
**PLAN VIEW
TABLET ARM**

Figure 2 - Acclaim C3 Front, Side, and Plan Views
(This model has both fully-upholstered seat and back.)



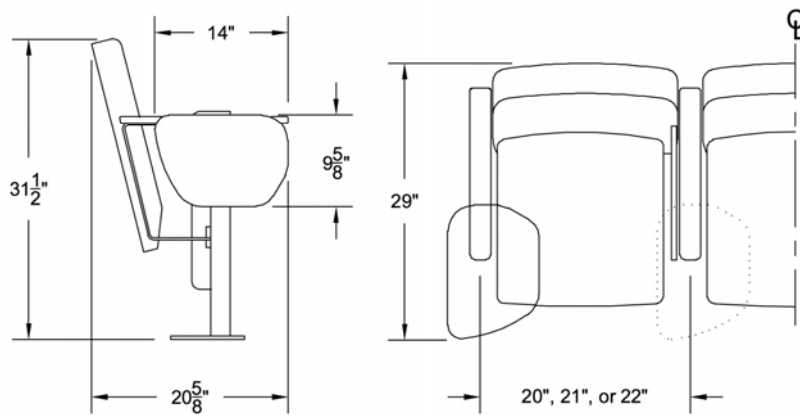
SIDE VIEW w/ SEAT DOWN

FRONT VIEW



SIDE VIEW w/ SEAT UP

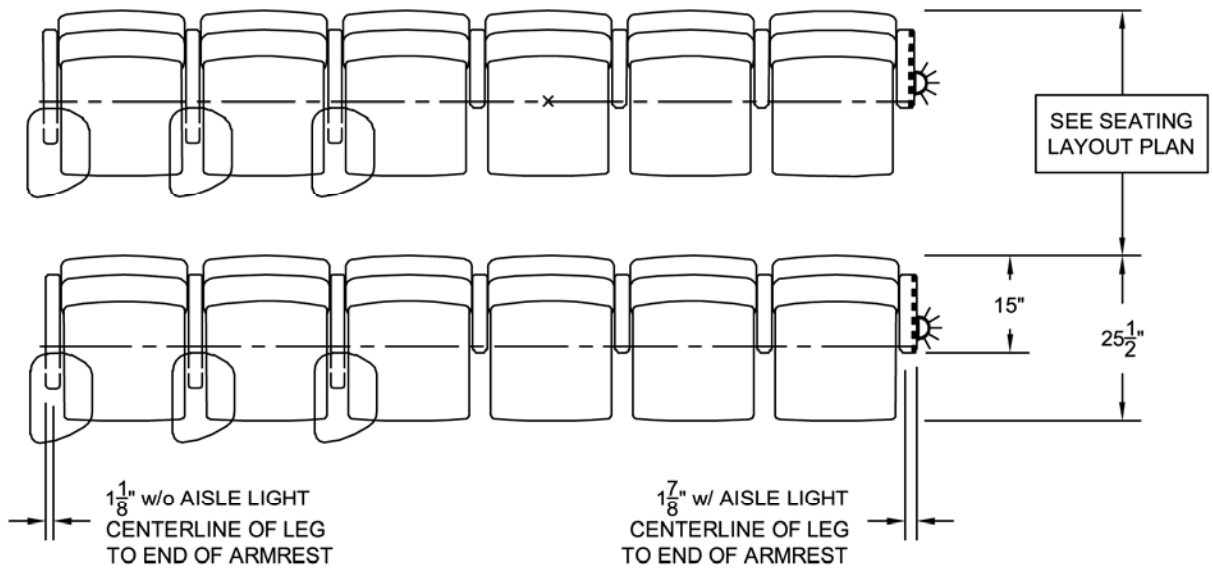
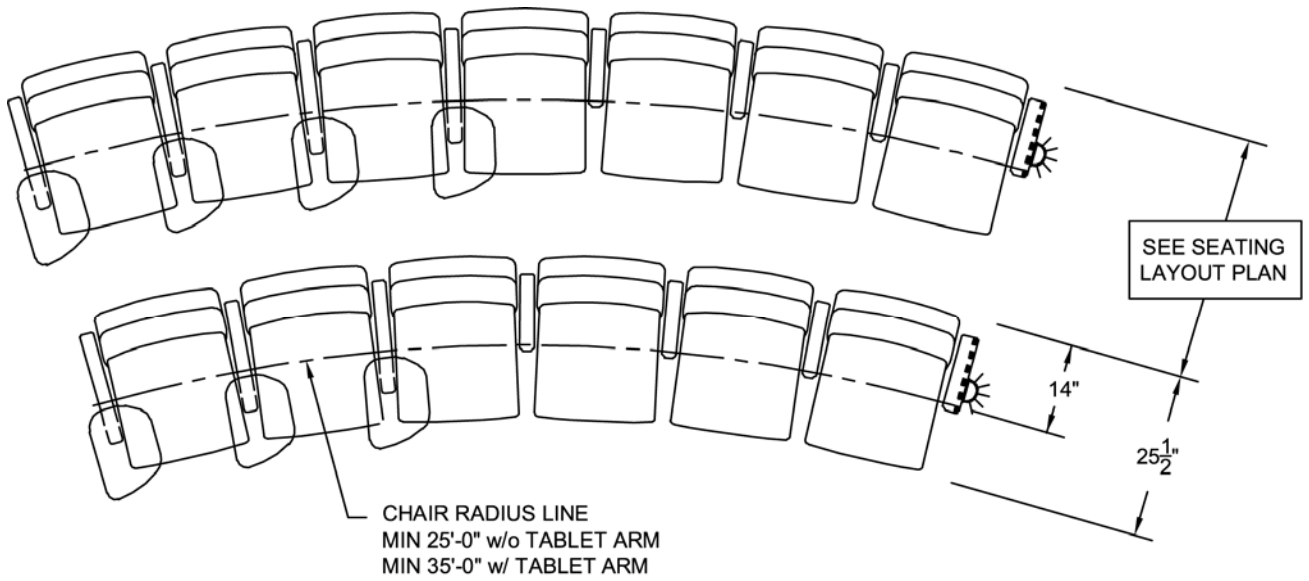
PLAN VIEW



**SIDE VIEW w/ SEAT UP
TABLET ARM**

**PLAN VIEW
TABLET ARM**

Figure 3 - Acclaim Seating Layout Dimensions



CENTER-TO-CENTER DIMENSIONS FOR STANDARD CHAIRS **WITHOUT** TABLET ARMS ARE 19", 20", 21", OR 22".

CENTER-TO-CENTER DIMENSIONS FOR STANDARD CHAIRS **WITH** TABLET ARMS ARE 20", 21", OR 22".

Figure 4 - Acclaim – Exploded Assembly

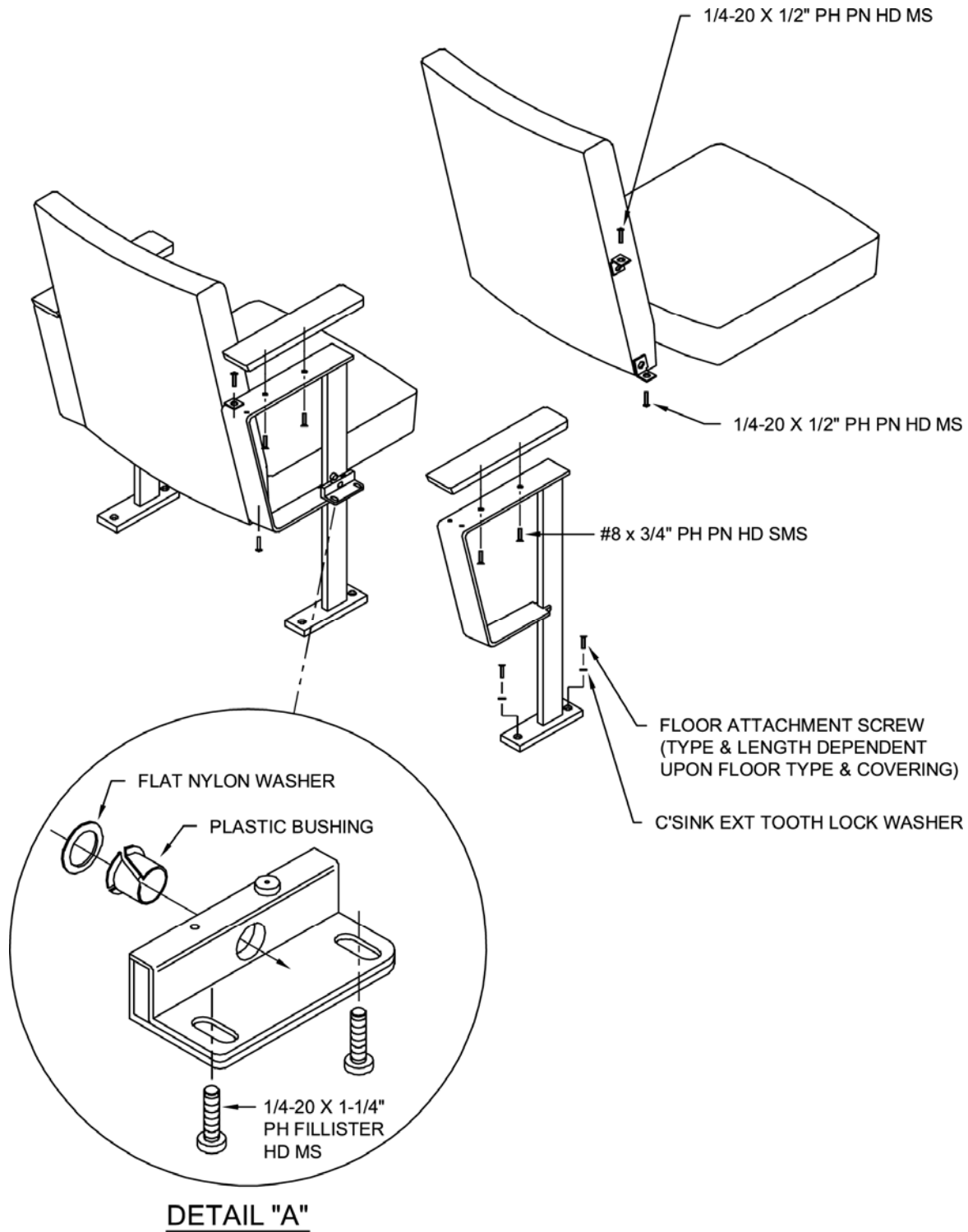


Figure 5 - Acclaim – Floor Mounting Details

